

GRL-Y

Y GROOVE GUIDE ROLLERS



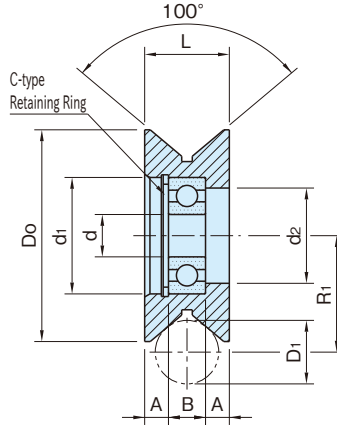
GRL-J-Y
(Plastic)



GRL-S-Y
(Steel)



GRL-Y-SUS
(Stainless Steel)



Type	Body	Bearing	Retaining Ring
GRL-S-Y	S45C steel Electroless nickel plated	Steel	Steel
GRL-J-Y	Polycetal plastic Black		
GRL-Y-SUS	Stainless steel (SUS303)	Stainless steel (SUS440C)	Stainless steel (SUS304)

Size	d	Do	di	d2	L	min.		max.		A	B	Bearing Type	
						D1	R1	D1	R1				
GRL-S-Y	30	6	30	17	13	12	10	17	12	18.3	3	6	606ZZ
	40	8	40	22	18	16	12	22	14	23.3	4.5	7	608ZZ
GRL-J-Y	50	10	50	26	22	19	14	27	20	30.9	5.5	8	6000ZZ
GRL-Y-SUS	60	12	60	32	26	23	16	32	25	37.9	6.5	10	6201ZZ
	70	15	70	35	29	28	20	38	30	44.5	8.5	11	6202ZZ

Steel		Plastic		Stainless Steel		Applicable Roller Pins				
Part Number	Weight(g)	Part Number	Weight(g)	Part Number	Weight(g)					
GRL30S-Y	35	GRL30J-Y	13	-	-	-	RLP0606	RLP06E	RLP06S	
GRL40S-Y	90	GRL40J-Y	25	GRL40-Y-SUS	90	RLP0807F	RLP0807	RLP08E	RLP08S	
GRL50S-Y	170	GRL50J-Y	45	GRL50-Y-SUS	170	RLP1008F	RLP1008	RLP10E	RLP10S	
GRL60S-Y	300	GRL60J-Y	85	GRL60-Y-SUS	300	RLP1210F	RLP1210	RLP12E	RLP12S	
GRL70S-Y	510	GRL70J-Y	130	-	-	-	RLP1511	RLP15E	RLP15S	

Features:

- Use as rollers for sliding doors or carriers.
- Medium-duty
- This product can accept a polished round steel bar that is available commercially.

Technical Information:

Load Rating of Bearings

Bearing Type	Basic Load Rating Cr (N)	Basic Static Load Rating Cor (N)
606ZZ	2260	840
608ZZ	3300	1360
6000ZZ	4550	1970
6201ZZ	6800	3050
6202ZZ	7650	3700