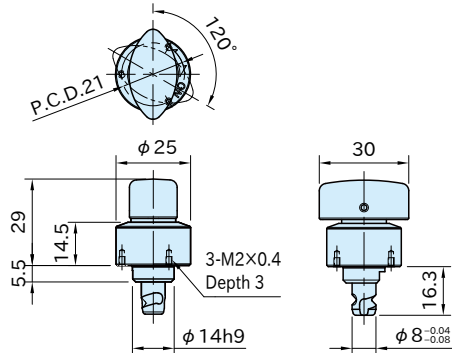




QCTHS0825-20
(Plastic Knob)



QCTHS0825-20S
(Metal Knob)



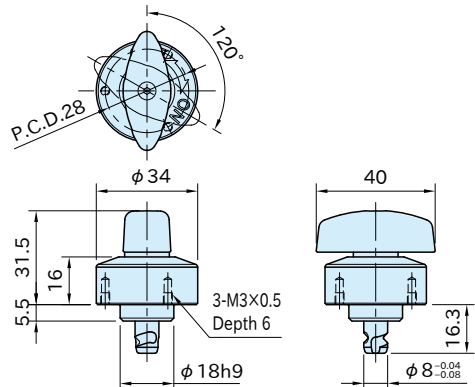
QCTHS0825-20 **QCTHS0825-20S**



QCTHS0834-20
(Plastic Knob)



QCTHS0834-20S
(Metal Knob)



QCTHS0834-20 **QCTHS0834-20S**

★ **Key Point**
Clamping force 400N, 250N

Part Number	Body	Shank	Pin	Knob	Spring A	Spring B
QCTHS	SUS303 stainless steel	SKS3 steel Electroless nickel plated Quenched and tempered	SUS440C stainless steel Quenched and tempered	Polyamide (glass-fiber reinforced) Black	Equivalent to SWOSC-V steel	SUS316J1 stainless steel
QCTHS-S	steel			SCS13 stainless steel (Equivalent to SUS304)		

Part Number	Plate Thickness	Clamping Force (N)	Holding Force (N)**	Weight (g)	Locking Receptacle
QCTHS0825-20	3~20)	250	250	62	QCTHS0834-B
QCTHS0825-20S				84	
QCTHS0834-20		400	400	121	
QCTHS0834-20S				157	

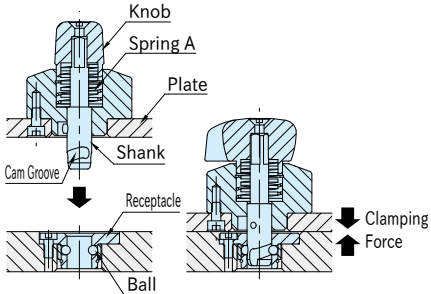
*) Spacer **QCASP** is required for thinner plate than 6mm.

**) Exceeding the holding force creates a gap of greater than 0.1mm between plates.

Supplied With

- **QCTHS** **QCTHS-S** 0825-20 :
3 of socket-head cap screws(stainless steel),
M2×0.4-5L
- **QCTHS** **QCTHS-S** 0834-20 :
3 of socket-head cap screws(stainless steel),
M3×0.5-6L

Feature

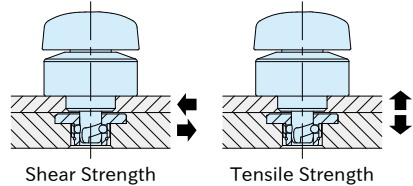


When the cam groove moves along the ball inside the receptacle, the spring A gets compressed to press down the plate.

QCTHS-B LOCKING RECEPTACLE



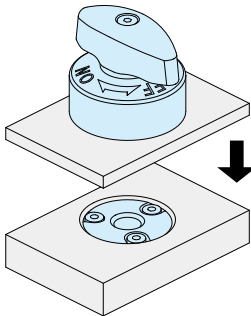
Mechanical Strength



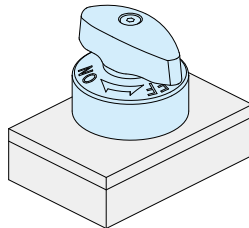
Part Number	Heatresistant Temperature (°C)	Shear Strength (N)	Tensile Strength (N)
QCTHS0825-20	130	4800	1100
QCTHS0825-20S	180		1600
QCTHS0834-20	130	4800	1100
QCTHS0834-20S	180		1600

Shear and tensile strength is allowable load and the fastener could break when it receives bigger load.

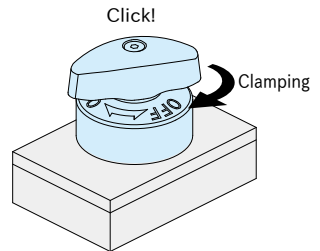
How To Use



1. Ensure that the knob is positioned at the "OFF" mark.



2. Insert the Heavy Duty Quarter-Turn Clamp.

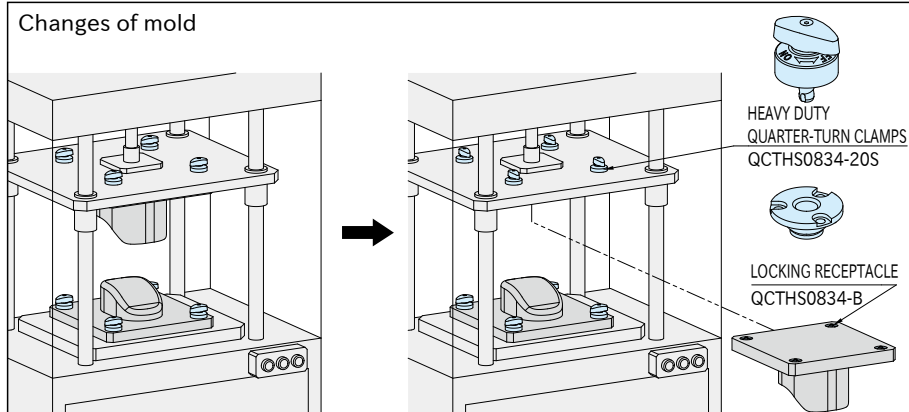
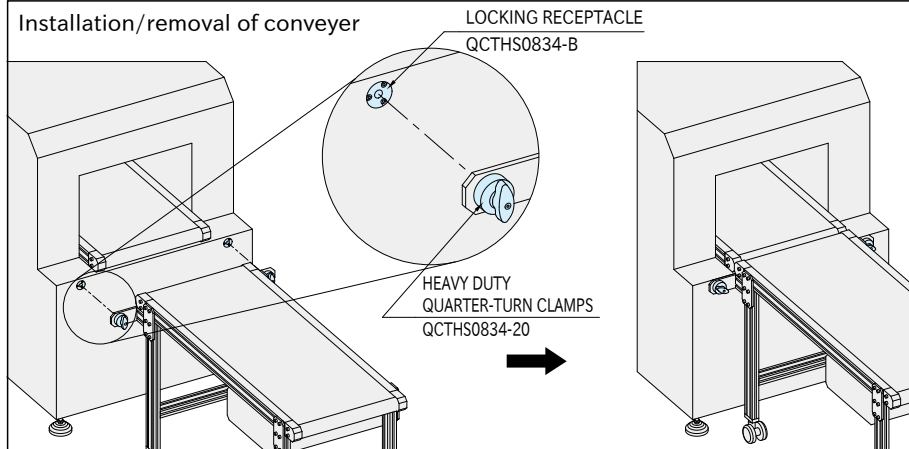


3. Turn the knob to the "ON" mark for clamping. The knob clicks when it is clamped/unclamped.
Note: For unclamping, follow back these steps.



Continuing on Next Page

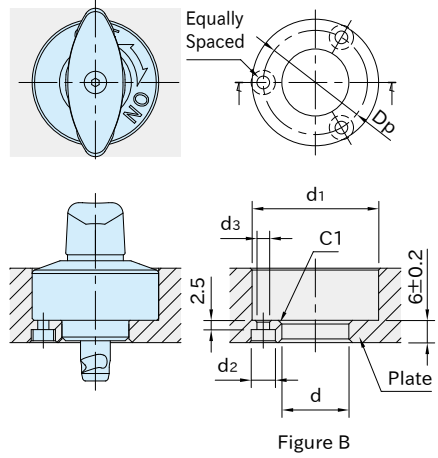
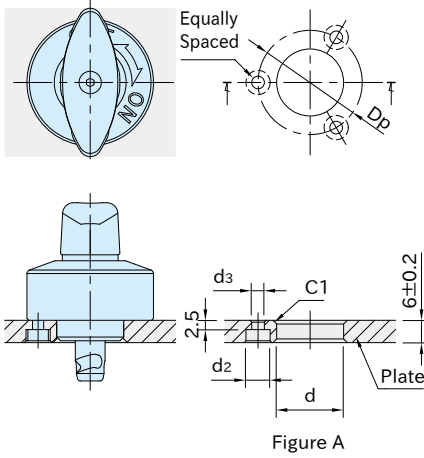
Application Example



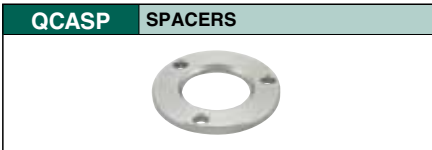
Reference

- "How To Install" of [QCTHS-B](#) Locking Receptacle
- Spacer [QCASP](#) is required for 3mm or more, under 6mm plate thickness.

How To Install

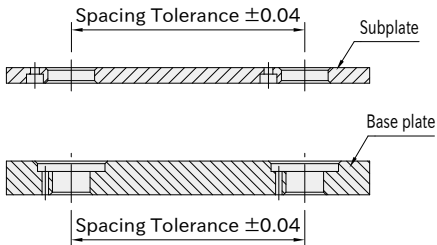


Size	Plate Thickness	Figure	d (+0.10 +0.05)	d ₁	d ₂	d ₃	D _p
QCTHS	3 or more, under 6	Spacer QCASP is required.					
	6	A	14	—	4.4	2.4	21
	over 6, 20 or less	B		26			
QCTHS-S	3 or more, under 6	Spacer QCASP is required.					
	6	A	18	—	6.5	3.4	28
	over 6, 20 or less	B		35			



Accuracy

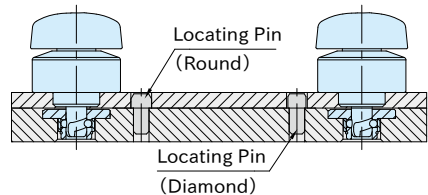
■ Machining Accuracy



Spacing tolerance on both the subplate and the base plate should be ± 0.04 .

■ Repeatability

Repeatability ± 0.1



For higher accurate locating, use locating pins.